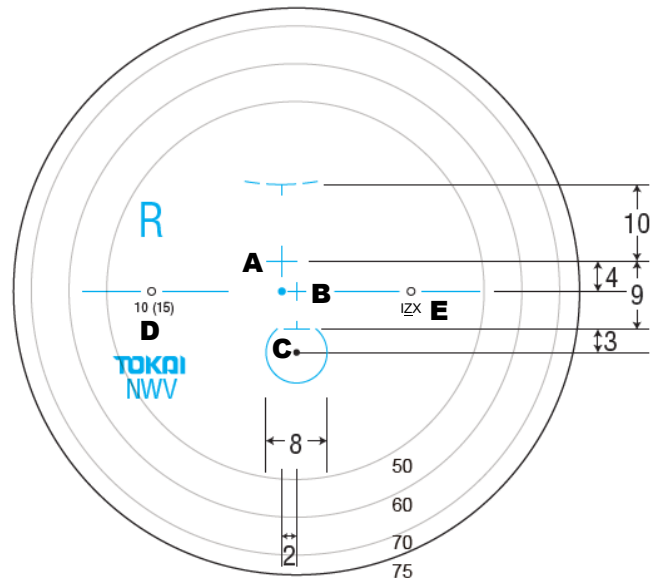
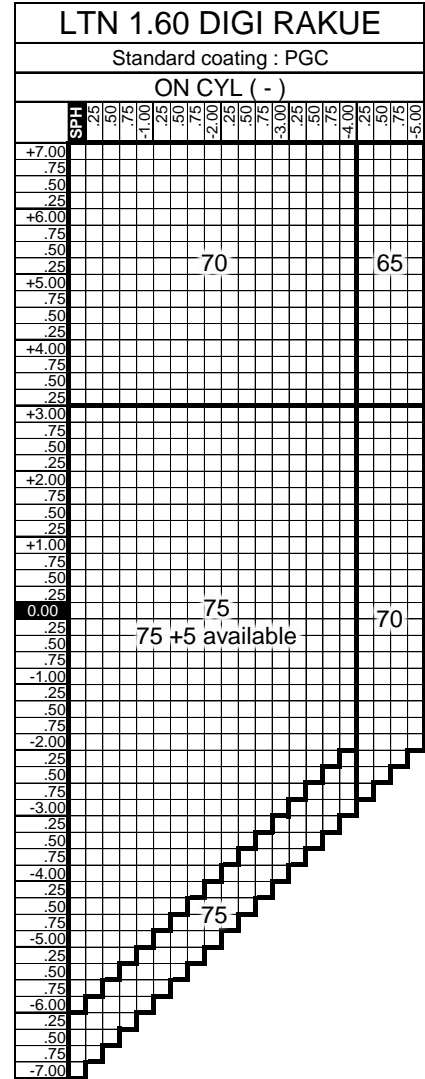
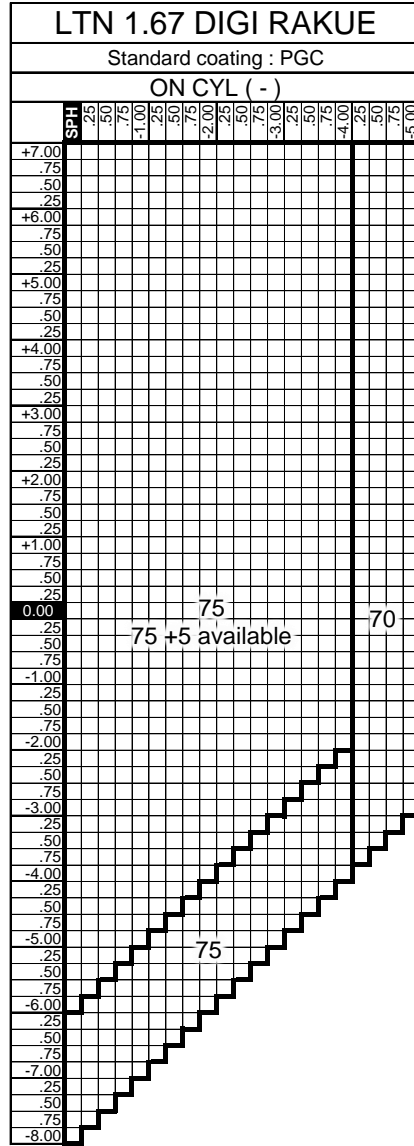
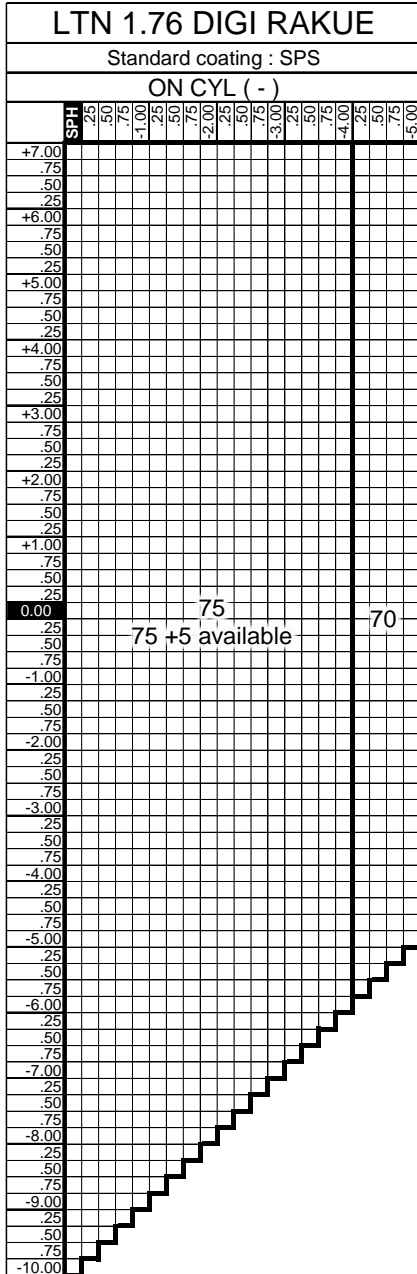


LUTINA DIGI RAKUE



| Specifications | | Specifiable range / Availability |
|----------------|------------------------------|--|
| Prescription | Size reduction | by 50mm Min : only (+), 1mm step |
| | Prism | Up to 3 prism |
| | Decentration | Not available |
| | Base curve selection | Available |
| Type | Power digression | Type1 = -1.00D, Type2 = -1.50D |
| Frame data | Slice (Frame shape required) | Available for plus & mixed power lenses |
| | Fine edge processing | Available (Less S+C = -3.00 : Not available) Depending on direction of AXIS or design type, it may not be possible to manufacture. |

| Mark | Index |
|------|---------|
| I | ZX 1.76 |
| | UX 1.67 |
| | HX 1.60 |

| Lens mark | |
|-----------|---|
| A | Fitting point EP is 2.0mm from Geometrical center on the ear side. |
| B | Geometrical center, Size specification reference center Area to measure the prismatic power |
| C | Area to measure the near vision power |
| D | Addition (Minus) |
| E | Identification mark |