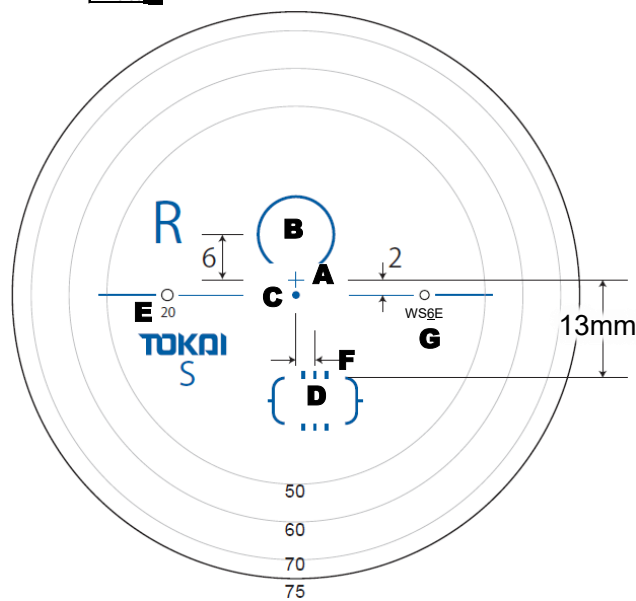
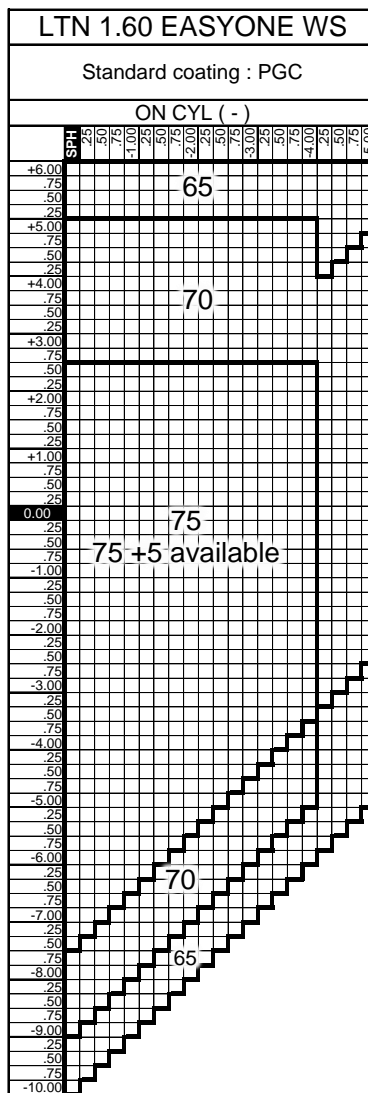
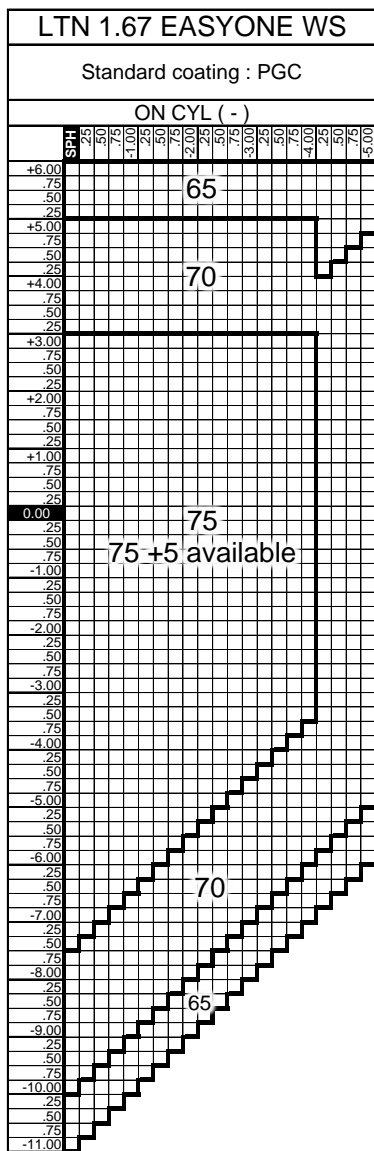
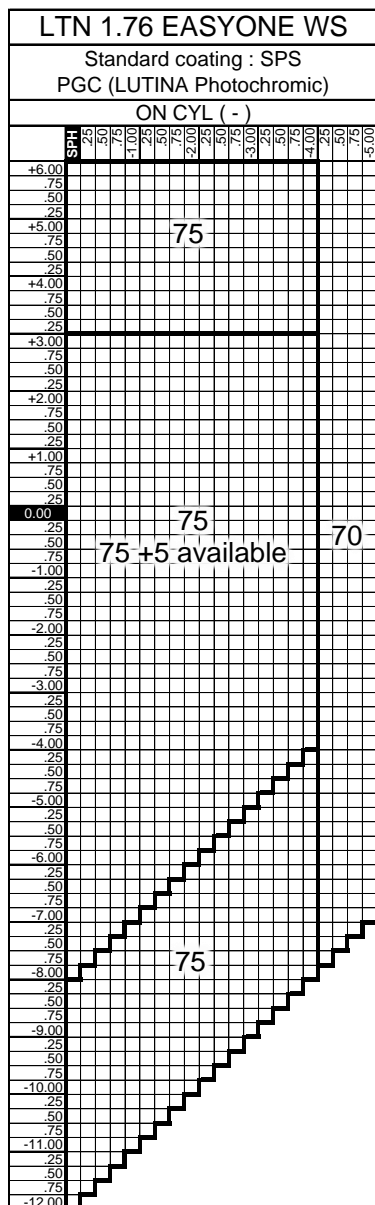


# LTN EASYONE WS & LTN-P EASYONE WS

※In case of with prism, the lens may be a cataract lens depending on the power



Specifications		Specifiable range / Availability
Prescription	Size reduction	by 50mm Min : only (+), 1mm step
	Prism	Up to 3 prism
	Decentration	Not available
	Base curve selection	Available (Please refer "Curve" page)
	Color	Available (Please refer "available color list")
Progressive	LUTINA Photochromic	Gray, Brown
	Corridor	11, 12, 13mm
	Addition	0.50D to 4.00D at 0.25 steps
	Inset	0.0 to 5.0 mm at 0.1 mm steps
Individual	Inset design from other elements	Designed by far PD, power, reading distance, reading distance can be prescribed
	Wrap angle (Default value: 0.0°)	0.0° ~ 15.0° (0.1° steps)
Frame data	Slice (Frame shape required)	Available for plus & mixed power lenses
	Remote edging	Available (Wrap angle more than 11° is not available, Base curve more than 6 in minus range is not available.)
	Fine edge processing	Available (Less S+C = -3.00 : Not available) Depending on direction of AXIS or design type, it may not be possible to manufacture.

Product mark	Corridor	Index	Design
W	N 11mm	Z 1.76	E
	T 12mm	U 1.67	
	S 13mm	Q 1.60	

Lens mark	
A	Fitting point (far vision eye point)
B	Area to measure the far vision power
C	Geometrical center
D	Area to measure the prismatic power
E	Area to measure the near vision power
F	Addition
G	Inset (0.0 to 5.0 mm at 0.1 mm steps)
	Identification and location mark